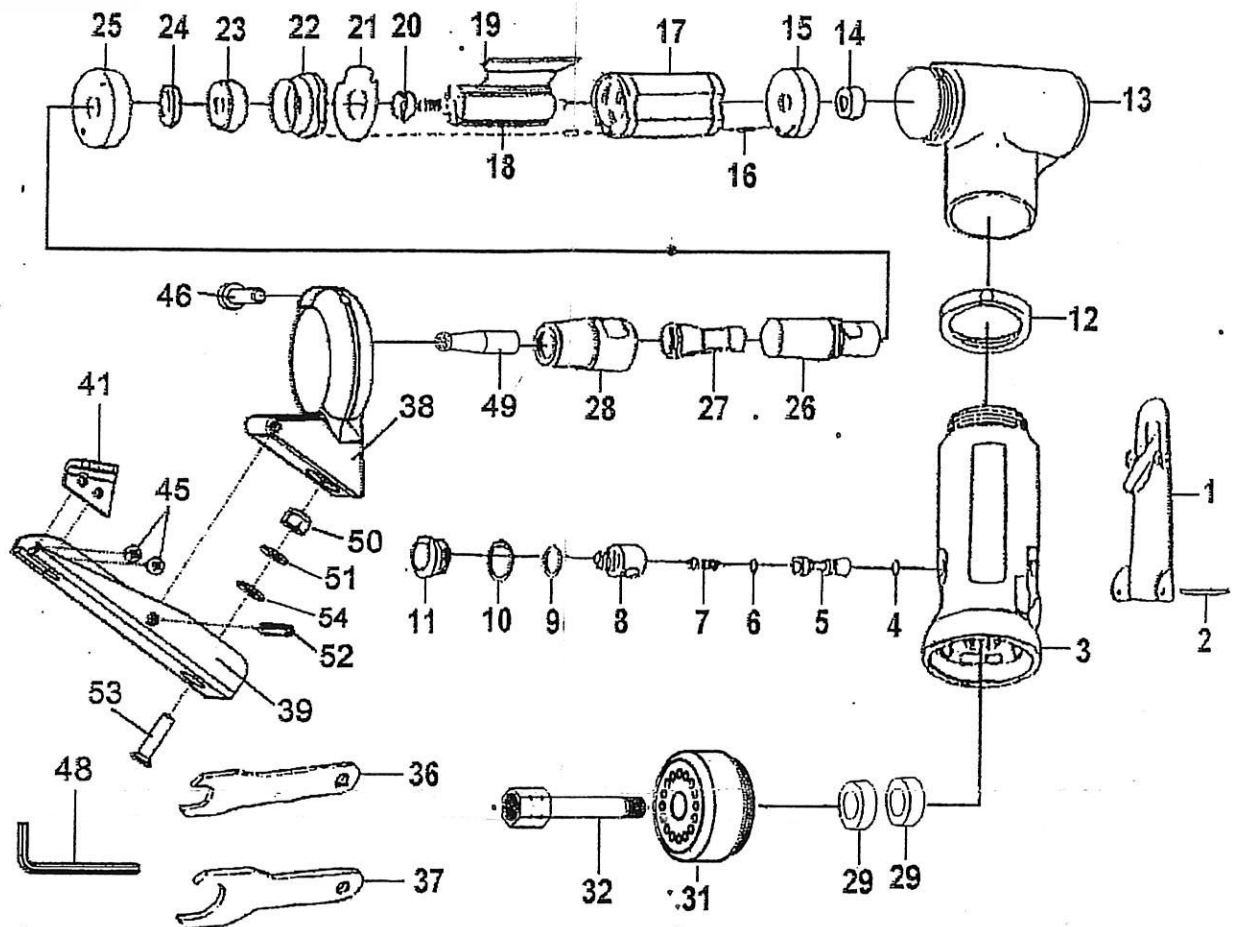




I-9209A Laser Weld Cutter



| Ref. No. | Part No. | Description | Q'ty /Tool | Ref. No. | Part No. | Description | Q'ty /Tool |
|----------|------------|----------------|------------|----------|--------------|--|------------|
| 1 | SPC3860001 | Throttle Lever | 1 | 26 | SPI9133021 | Splndle | 1 |
| 2 | SPC3860002 | Spring Pin | 1 | 27 | SPI9133024 | Collet | 1 |
| 3 | SPC3860003 | Housing | 1 | 28 | SPI9133026 | Collet Nut | 1 |
| 4 | SPC3860004 | O-Ring | 1 | 29 | SPDD2215004 | Wool Felt | 2 |
| 5 | SPC3860005 | Valve Stem | 1 | 31 | SPI9209012 | Air Deflector | 1 |
| 6 | SPC3860006 | O-Ring | 1 | 32 | SPDD8110031 | Air Inlet | 1 |
| 7 | SPC3860007 | Valve Spring | 1 | 36 | SPC3860035 | Wrench (11mm) | 1 |
| 8 | SPC3860008 | Air Controller | 1 | 37 | SPI9202004 | Wrench (17mm) | 1 |
| 9 | SPC3860009 | O-Ring | 1 | 38 | SPI9209001A | Laser Base | 1 |
| 10 | SPC3860010 | O-Ring | 1 | 39 | SPI9209002A | Fixed Plate | 1 |
| 11 | SPC3860011 | Valve Screw | 1 | 41 | SPI9209004A* | Protecting Cover | 1 |
| 12 | SPC3860012 | Lock Nut | 1 | 45 | SPI9209008A | Screw M3x5L | 2 |
| 13 | SPC3860013 | Housing | 1 | 46 | SPI9209009A | Locking Screw M4x20L | 1 |
| 14 | SPC3860014 | Bearing | 1 | 48 | SPD5230033 | Hex. Wrench 2.5mm | 1 |
| 15 | SPC3860015 | End Plate | 1 | 49 | SPI9209011 | Burrs | 1 |
| 16 | SPC3860016 | Pin | 2 | 50 | SPI9209016 | Nut M4 | 1 |
| 17 | SPI9202001 | Cylinder | 1 | 51 | SPI9209013 | Washer | 2 |
| 18 | SPI9202002 | Rotor | 1 | 52 | SPI9209014 | Pin 3.3x25L | 1 |
| 19 | SPI9202003 | Blade | 4 | 53 | SPI9209015 | Screw M4x18 | 1 |
| 20 | SPC3860020 | Spacer | 1 | 54 | SPI9209017 | Spring Washer | 1 |
| 21 | SPC3860021 | Steel Plate | 1 | | | | |
| 22 | SPC3860022 | Front Plate | 1 | RK | SPI92090RK | Repair Kit Ref. No.- 14, 19(x4), 21, 23 | |
| 23 | SPC3860023 | Bearing | 1 | | | | |
| 24 | SPC3860024 | Silencer | 1 | SK | SPI92090SK | Service Kit Ref. No. 4, 6, 7, 9, 10, 30 | |
| 25 | SPC3860025 | Cover | 1 | | | | |