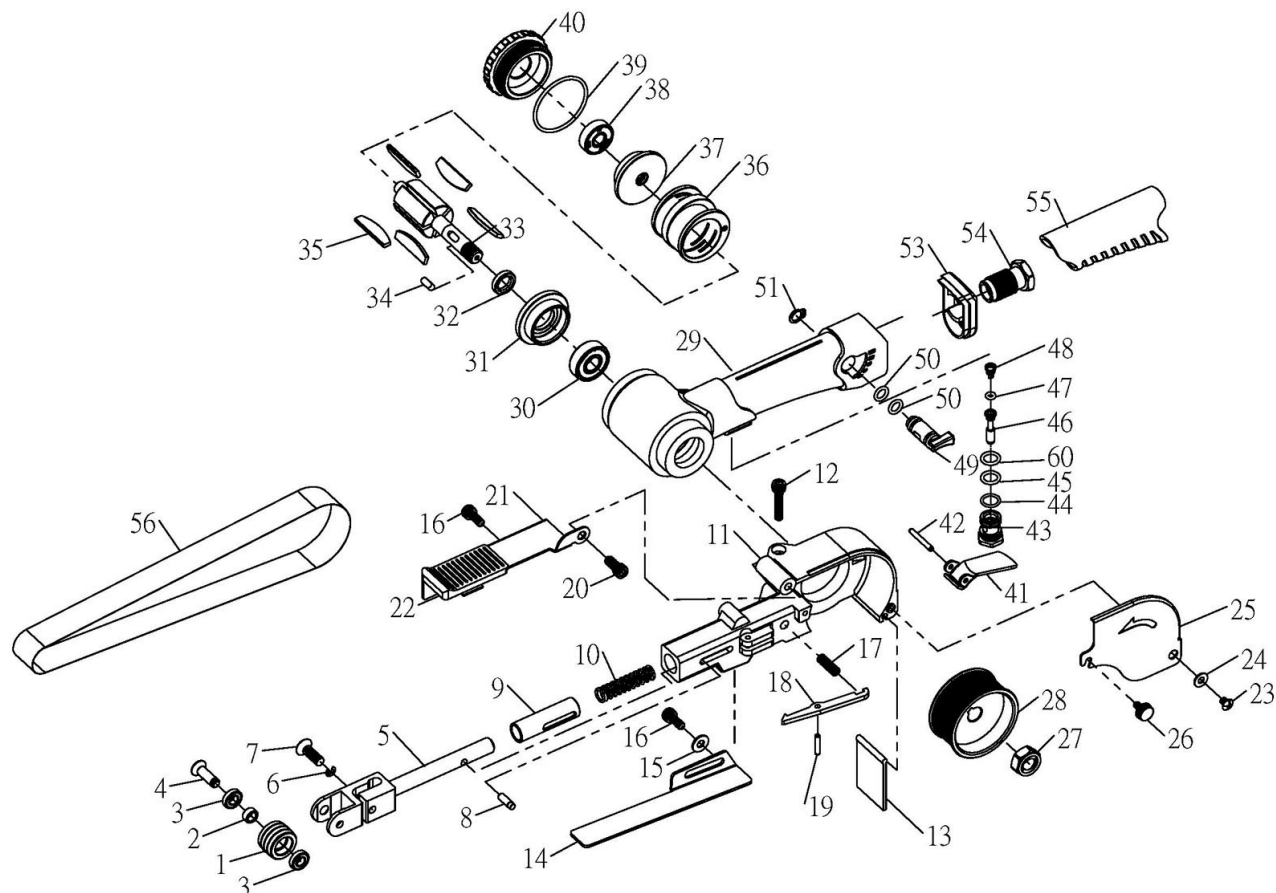


C-3620

AIR BELT SANDER (20x520mm)



PARTS LIST

No.	Parts No.	Description	Q'ty
1	C3620M5061-01	Idle Pulley	1
2	C3620M5061-02	Washer	1
3	C3620M5061-03A	Ball Bearing (686Z/RS)	2
4	C3620M5061-04	Idle Pully Screw (M6x16)	1
5	C3620M5061-05	Tension Bar	1
6	C3620M5061-06	E-Ring (E3)	1
7	C3620M5061-07	Screw (M6x14)	1
8	C3620M5061-08	Stopper Pin	1
9	C3620M5061-09	Guard Bushing	1
10	C3620M5061-10	Tension Spring	1
11	C3620M5061-11	Guard Sub Ass'y 9	1
12	C3620M5061-12	Head Cap Screw (M5x30)	1
13	C3620M5061-13	Dust Cover	1
14	C3620M5061-14	Shoe	1
15	C3620M5061-15	Washer (M5)	1
16	C3620M5061-16	Cap Screw (M5x10)	2
17	C3620M5061-17	Stopper Spring	1
18	C3620M5061-18	Stopper	1
19	C3620M5061-19	Spring Pin (Φ3x12)	1
20	C3620M5061-20	Pan Head Screw (M6x10)	1
21	C3620M5061-21	Finger Plate	1
22	C3620M5061-22	Anti-Slip Spacer	1
23	C3620M5061-23	Pan Head Screw (M4x6)	1
24	C3620M5061-24	Washer (M4)	1
25	C3620M5061-25	Belt Cover	1
26	C3620M5061-26	Decorative Screw (M4x8)	1
27	C3620M5061-27	Hex. Nut M10	1
28	C3620M5061-28	Drive Pulley	1
29	C3620M5061-29	Housing	1
30	C3620M5061-30A	Ball Bearing (6000RS)	1

No.	Parts No.	Description	Q'ty
31	C3620M5061-31	Front End Plate	1
32	C3620M5061-32	Spacer	1
33	C3620M5061-33	Rotor	1
34	C3620M5061-34	Parallel Key Both Ends Round 4x4x9.5	1
35	C3620M5061-35	Rotor Blade	5
36	C3620M5061-36	Cylinder	1
37	C3620M5061-37	Rear End Plate	1
38	C3620M5061-38	Ball Bearing (608ZZ)	1
39	C3620M5061-39	O-Ring (S38)	1
40	C3620M5061-40	Cap	1
41	C3620M5061-41	Throttle Lever	1
42	C3620M5061-42	Spring Pin (Φ3x20)	1
43	C3620M5061-43	Valve Body	1
44	C3620M5061-44	O-Ring (S11.2)	1
45	C3620M5061-45	O-Ring (P-9)	1
46	C3620M5061-46	Valve Stem	1
47	C3620M5061-47	O-Ring (P3)	1
48	C3620M5061-48	Valve Spring	1
49	C3620M5061-49	Air Regulator	1
50	C3620M5061-50	O-Ring (P7)	2
51	C3620M5061-51	External Stop Ring (STW-8)	1
53	C3620M5061-53	Exhaust Diffuser	1
54	C3620M5061-54	Inlet Bushing	1
55	C3620M5061-55	Housing Cover	1
56	C3620M5061-56A	Grinding Belt (#100x20)	1
	C3620M5061-56B	Grinding Belt (#80x20)	1
	C3620M5061-56C	Grinding Belt (#120x20) (Opt)	1
	C3620M5061-56D	Grinding Belt (#60x20) (Opt.)	1
	C3620M5061-56G	Nov-Woven Belt (#240) (Opt.)	1
60	C3620M5061-60	O-Ring (AS-004)	1