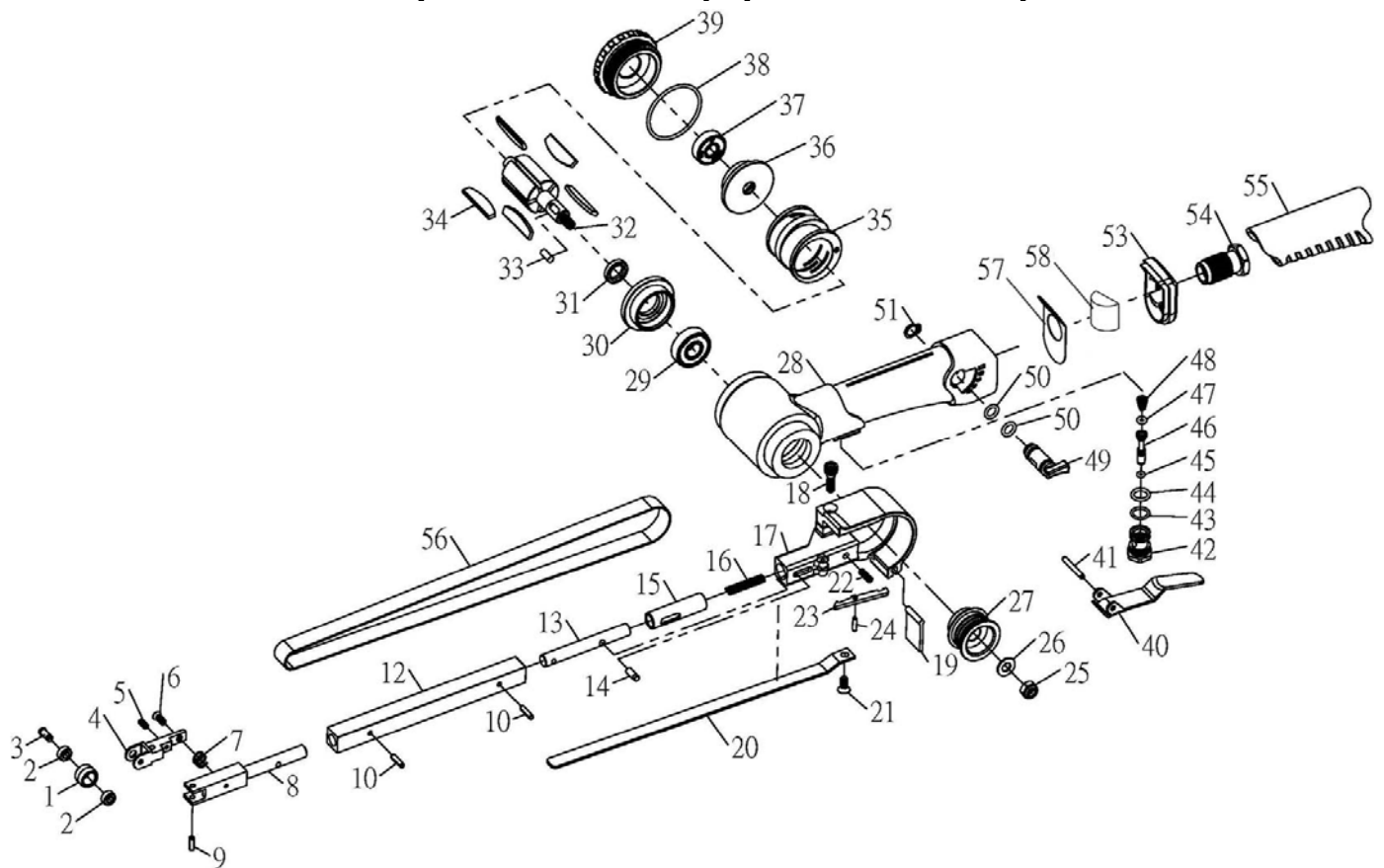


# C-3645

## AIR BELT SANDER (12.7x610mm) (LOW NOISE)



### PARTS LIST

No.	Parts No.	Description	Q'ty
1	C3645M5063-01	Idle Pulley	1
2	C3645M5063-02	Ball Bearing (684ZZ)	2
3	C3645M5063-03	Idle Pully Screw	1
4	C3645M5063-04	Bracket 10	1
5	C3645M5063-05	Set Screw (M3x8)	1
6	C3645M5063-06	Hexagon Socket Headless Set Screw	1
7	C3645M5063-07	Spring	1
8	C3645M5063-08	Tension Bar	1
9	C3645M5063-09	Spring Pin (Φ3x10)	1
10	C3645M5063-10	Spring Pin (Φ3x12)	2
12	C3645M5063-12	Tension Spindle	1
13	C3645M5063-13	Dead Handle	1
14	C3645M5063-14	Stopper Pin	1
15	C3645M5063-15	Guard Bushing	1
16	C3645M5063-16	Tension Spring	1
17	C3645M5063-17	Guard Sub Ass'y	1
18	C3645M5063-18	Head Cap Screw (M5x15)	1
19	C3645M5063-19	Dust Cover	1
20	C3645M5063-20	Shoe 12	1
21	C3645M5063-21	Hexagon Socket Headless Set Screw	1
22	C3645M5063-22	Stopper Spring	1
23	C3645M5063-23	Stopper	1
24	C3645M5063-24	Spring Pin (Φ2.5x10)	1
25	C3645M5063-25	Hexagon Nut (M6)	1
26	C3645M5063-26	Washer (M6)	1
27	C3645M5063-27	Drive Pulley	1
28	C3645M5063-28	Housing	1
29	C3645M5063-29	Ball Bearing (6000ZZ)	1
30	C3645M5063-30	Front End Plate	1

No.	Parts No.	Description	Q'ty
31	C3645M5063-31	Spacer	1
32	C3645M5063-32	Rotor	1
33	C3645M5063-33	Parallel Key Both Ends Round 4x4x9.5	1
34	C3645M5063-34	Rotor Blade	5
35	C3645M5063-35	Cylinder	1
36	C3645M5063-36	Rear End Plate	1
37	C3645M5063-37	Ball Bearing (608ZZ)	1
38	C3645M5063-38	O-Ring (S38)	1
39	C3645M5063-39	Cap	1
40	C3645M5063-40	Throttle Lever	1
41	C3645M5063-41	Spring Pin (Φ3x20)	1
42	C3645M5063-42	Valve Body	1
43	C3645M5063-43	O-Ring (S11.2)	1
44	C3645M5063-44	O-Ring (P9)	1
45	C3645M5063-45	O-Ring (AS-004)	1
46	C3645M5063-46	Valve Stem	1
47	C3645M5063-47	O-Ring (P3)	1
48	C3645M5063-48	Vavle Spring	1
49	C3645M5063-49	Air Regulator	1
50	C3645M5063-50	O-Ring (P7)	2
51	C3645M5063-51	External Stop Ring (STW-8)	1
53	C3645M5063-53	Exhaust Diffuser	1
54	C3645M5063-54	Inlet Bushing	1
55	C3645M5063-55	Housing Cover	1
56	C3645M5063-56A	Grinding Belt (#100x12)	1
	C3645M5063-56B	Grinding Belt (#80x12)	1
57	C3645M5063S-57	Washer [ST-C3645M5063S]	1
58	C3645M5063S-58	Muffler [ST-C3645M5063S]	1