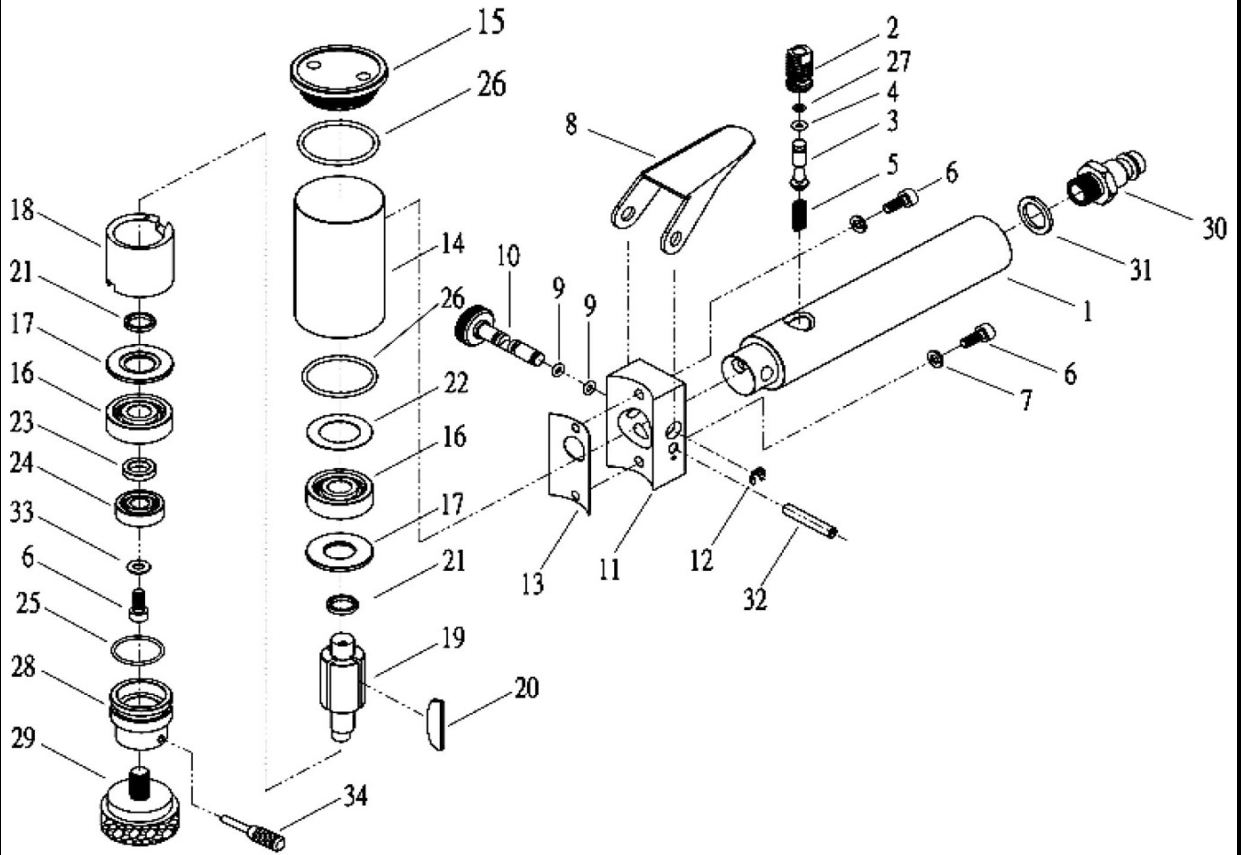




C-3851  
AIR FINISH ANGLE SANDER



No.	Parts No.	Description	Q'ty	No.	Parts No.	Description	Q'ty
1	C38517153-01	Handle	1	18	C38517153-18	Cylinder	1
2	C38517153-02	Valve Bushing	1	19	C38517153-19	Rotor	1
3	C38517153-03	Valve Stem	1	20	C38517153-20	Rotor Blade	4
4	C38517153-04	O-Ring (P3)	1	21	C38517153-21	Collar	1
5	C38517153-05	Spring	1	22	C38517153-22	Washer	1
6	C38517153-06	Screw (M4x14)	1	23	C38517153-23	Spacer	1
7	C38517153-07	Spring Washer	1	24	C38517153-24	Ball Bearing (607Z)	1
8	C38517153-08	Lever	1	25	C38517153-25	O-Ring (21x1.8)	1
9	C38517153-09	O-Ring (3x1.5)	1	26	C38517153-26	O-Ring (SM26)	1
10	C38517153-10	Regulator	1	27	C38517153-27	O-Ring (3x1)	1
11	C38517153-11	Connecting Block	1	28	C38517153-28	Orbit Spindle	1
12	C38517153-12	"E" Retaining Ring (E5)	1	29	C38517153-29	Pad (Φ50mm)	1
13	C38517153-13	Gasket	1	30	C38517153-30	Air Inlet	1
14	C38517153-14	Motor Housing	1	31	C38517153-31	Washer	1
15	C38517153-15	Cover	1	32	C38517153-32	Pin (4.5x25)	1
16	C38517153-16	Ball Bearing (629Z)	1	33	C38517153-33	Washer	1
17	C38517153-17	Rear End Plate	1	34	C38517153-34	Spanner	1