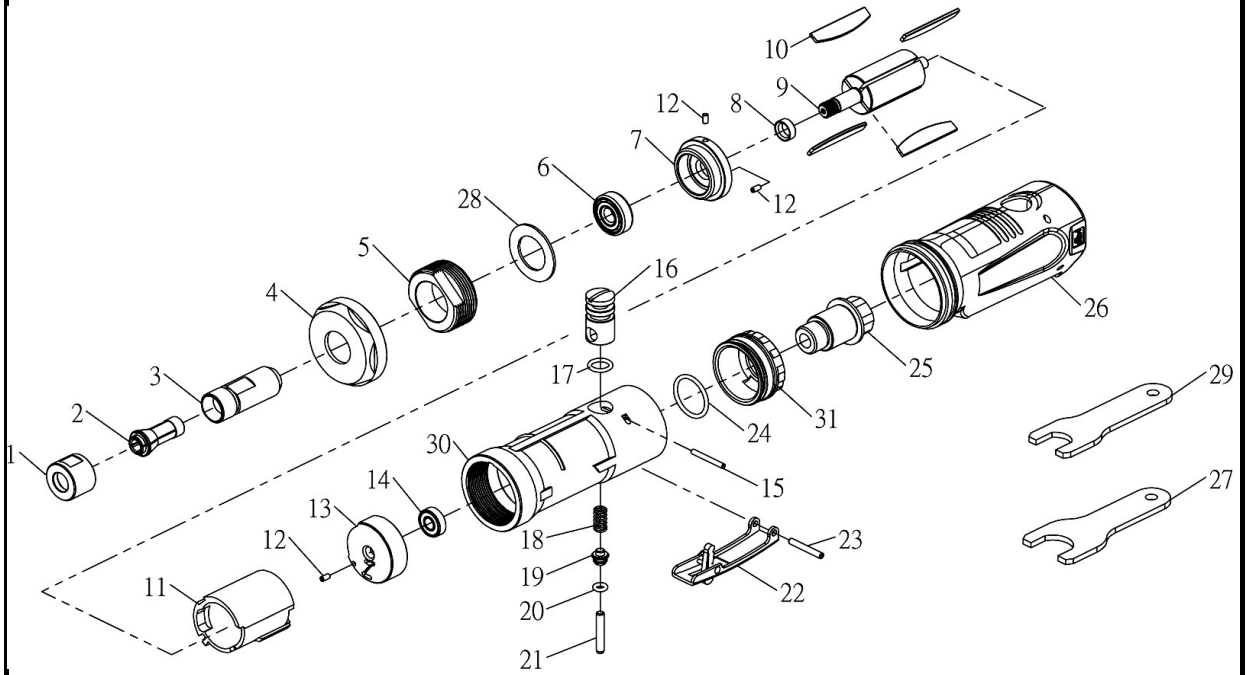




I-6600
1/4"(6MM) AIR DIE GRINDER



No.	Parts No.	Description	Q'ty	No.	Parts No.	Description	Q'ty
1	I6600M5040-01	Collet Nut	1	16	I6600M5040-16	Valve Screw	1
2	I6600M5040-02A	1/4" Collet	1	17	I6600M5040-17	O-Ring (P10A)	1
	I6600M5040-02B	6mm Collet	1	18	I6600M5040-18	Valve Spring	1
3	I6600M5040-03	Spindle	1	19	I6600M5040-19	Throttle Valve	1
4	I6600M5040-04	Coupling Nut	1	20	I6600M5040-20	O-Ring (P4)	1
5	I6600M5040-05	Lock Ring	1	21	I6600M5040-21	Valve Shaft (Φ3.9x24)	1
6	I6600M5040-06	Ball Bearing (608ZZ)	1	22	I6600M5040-22	Safety Lever Ass'y	1
7	I6600M5040-07	Frond End Plate	1	23	I6600M5040-23	Spring Pin (Φ3x22)	1
8	I6600M5040-08	Bearing Spacer	1	24	I6600M5040-24	O-Ring (S22.4)	1
9	I6600M5040-09	Rotor	1	25	I6600M5040-25	Inlet Bushing	1
10	I6600M5040-10	Rotor Blade	4	26	I6600M5040-26	Housing Cover	1
11	I6600M5040-11	Cylinder	1	27	I6600M5040-27	Spanner Wrench Set (#19)	1
12	I6600M5040-12	Spring Pin (Φ2.5x5)	3	28	I6600M5040-28	Aluminum Spacer	1
13	I6600M5040-13	Rear End Plate	1	29	I6600M5040-29	Spanner Wrench Set (#14)	1
14	I6600M5040-14	Ball Bearing (696ZZ)	1	30	I6600M5040-30	Motor Housing	1
15	I6600M5040-15	Spring Pin (Φ2.5x20)	1	31	I6600M5040-31	Exhaust Sleeve	1