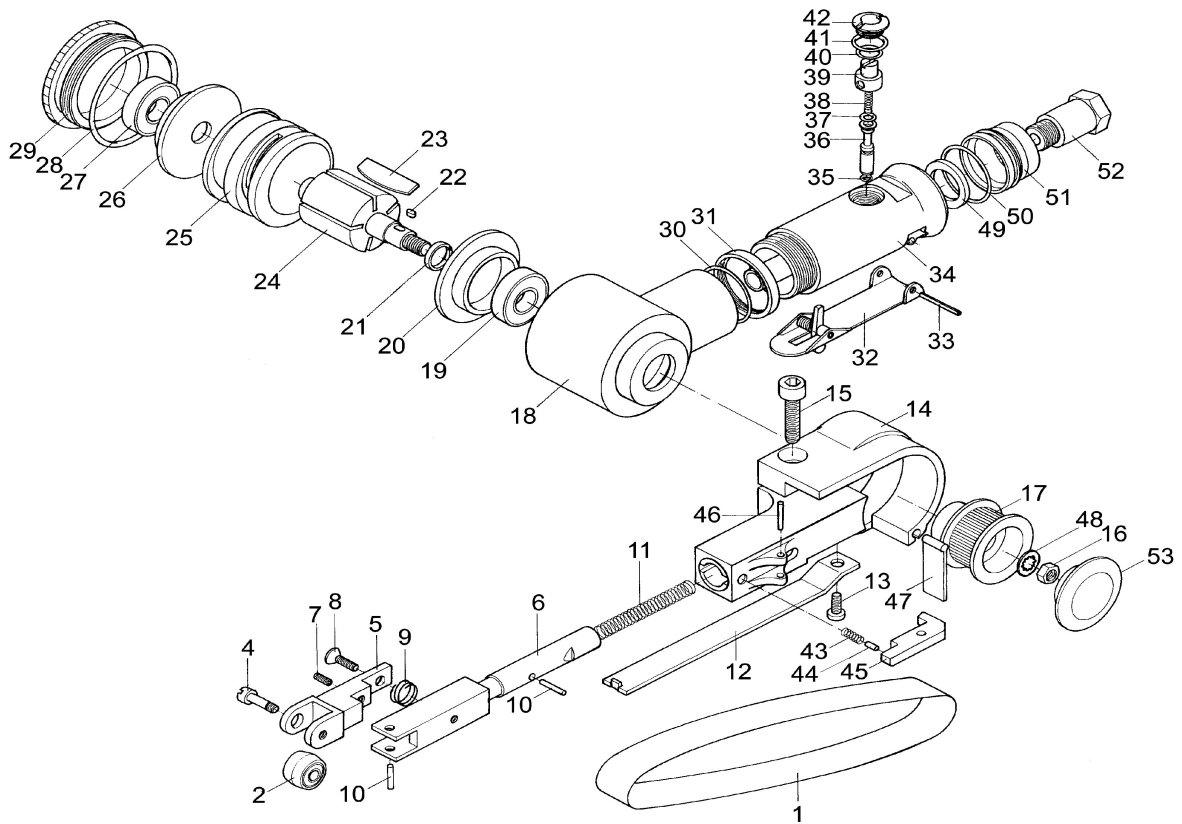




**C-3535-SM  
AIR BELT SANDER (10x330mm) (COMPOSITE BODY)**



No.	Parts No.	Description	Q'ty
1	C-3535C700-01	Grinding Belt (#80, #100, #120)	3
2	C-3535C700-02	Idle Pulley Sub Assy	1
4	C-3535C700-04	Idle Pulley Shaft	1
5	C-3535C700-05	Bracket	1
6	C-3535C700-06	Tension Bar	1
7	C-3535C700-07	Hexagon Socket Headless Set Screw 3x6	1
8	C-3535C700-08	Screw 3x8	1
9	C-3535C700-09	Spring 1.0x7.2x6.5	1
10	C-3535C700-10	Spring Pin 3x10	2
11	C-3535C700-11	Spring 1.0x4.0x35.5	1
12	C-3535C700-12	Shoe	1
13	C-3535C700-13	Screw 4x8	1
14	C-3535C700-14	Guard Sub Assy A	1
15	C-3535C700-15	Hexagon Socket Head Bolt 5x12	1
16	C-3535C700-16	Hexagon Nut M6	1
17	C-3535C700-17	Drive Pulley	1
18	C-3535C700-18	Housing	1
19	C-3535C700-19	Ball Bearing	1
20	C-3535C700-20	Front End Plate	1
21	C-3535C700-21	Spacer	1
22	C-3535C700-22	Sunk Key	1
23	C-3535C700-23	Rotor Blade	5
24	C-3535C700-24	Rotor	1
25	C-3535C700-25	Cylinder	1
26	C-3535C700-26	Rear Plate	1
27	C-3535C700-27	Ball Bearing	1

No.	Parts No.	Description	Q'ty
28	C-3535C700-28	O-Ring	1
29	C-3535C700-29	Motor Nut	1
30	C-3535C700-30	O-Ring	1
31	C-3535C700-31	Lock Nut	1
32	C-3535C700-32	Throttle Lever	1
33	C-3535C700-33	Lever Pin	1
34	C-3535C700-34	Motor Housing	1
35	C-3535C700-35	O-Ring	1
36	C-3535C700-36	Valve Stem	1
37	C-3535C700-37	O-Ring	1
38	C-3535C700-38	Valve Spring	1
39	C-3535C700-39	Air Controller	1
40	C-3535C700-40	O-Ring	1
41	C-3535C700-41	O-Ring	1
42	C-3535C700-42	Valve Screw	1
43	C-3535C700-43	Spring	1
44	C-3535C700-44	Lever Pin	1
45	C-3535C700-45	Tension Bar	1
46	C-3535C700-46	Lever Pin	1
47	C-3535C700-47	Dust Cover	1
48	C-3535C700-48	Washer	1
49	C-3535C700-49	Silencer	1
50	C-3535C700-50	O-Ring	1
51	C-3535C700-51	Air Controller	1
52	C-3535C700-52	Air Inlet	1
53	C-3535C700-53	Cap	1