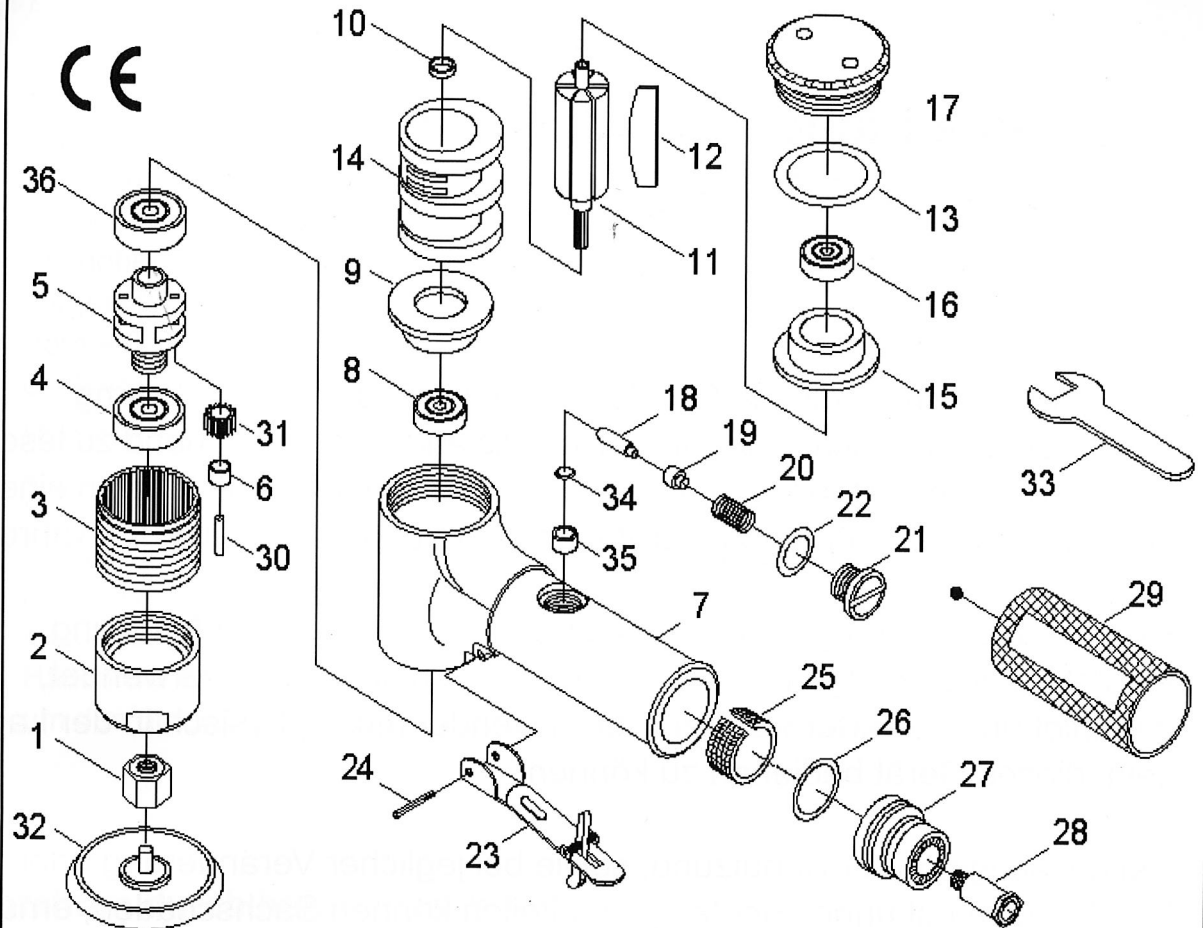


C-3735W

2" & 3" Angle Polisher



Ref. No.	Part No.	Description	Q'ty /Tool	Ref. No.	Part No.	Description	Q'ty /Tool
1	SPC3735001	Nut	1	22	SPC3735022	O-Ring P9	1
2	SPC3735002	Housing Cap	1	23	SPC3735023	Throttle Lever	1
3	SPC3735003	Internal Gear	1	24	SPC3735024	Spring Pin 3x24	1
4	SPC3735004	Ball Bearing 60012RZ	1	25	SPC3735025	Silencer	1
5	SPC3735005	Gear Cage	1	26	SPC3735026	O-Ring 28.3x1.78	1
6	SPC3735006	Needle Roller 4x7x7	2	27	SPC3735027	Air Deflector	1
7	SPC3735007	Housing	1	28	SPC3735028	Air Inlet	1
8	SPC3735008	Ball Bearing 7R6	1	29	SPC3735029	Rubber Sleeve	1
9	SPC3735009	End Plate B	1	30	SPC3735030	Pin 4x14	2
10	SPC3735010	Spacer	1	31	SPC3735031	Gear	2
11	SPC3735011	Rotor	1	32	SPC3735032	2" Sanding Pad	1
12	SPC3735012	Blade	5		SPC3735033	3" Sanding Pad	
13	SPC3735013	O-Ring 26.64x2.62	1		33	SPC3735034	
14	SPC3735014	Cylinder	1	34	SPC3735035	O-Ring P4	1
15	SPC3735015	End Plate A	1	35	SPC3735036	Plug	1
16	SPC3735016	Ball Bearing 626Z	1	36	SPC3735038	Ball Bearing 6001ZZ	1
17	SPC3735017	Cap	1				
18	SPC3735018	Valve Stem	1	RK	SPC37350RK	Repair Kit Ref. No.-- 4, 6(x2), 8 12(x5), 16, 30(x2), 31(x2), 36	
19	SPC3735019	Valve Ball	1				
20	SPC3735020A	Spring	1	SK	SPC37350SK	Service Kit Ref. No.-- 13, 20, 22, 26, 34	
21	SPC3735021	Plug	1				