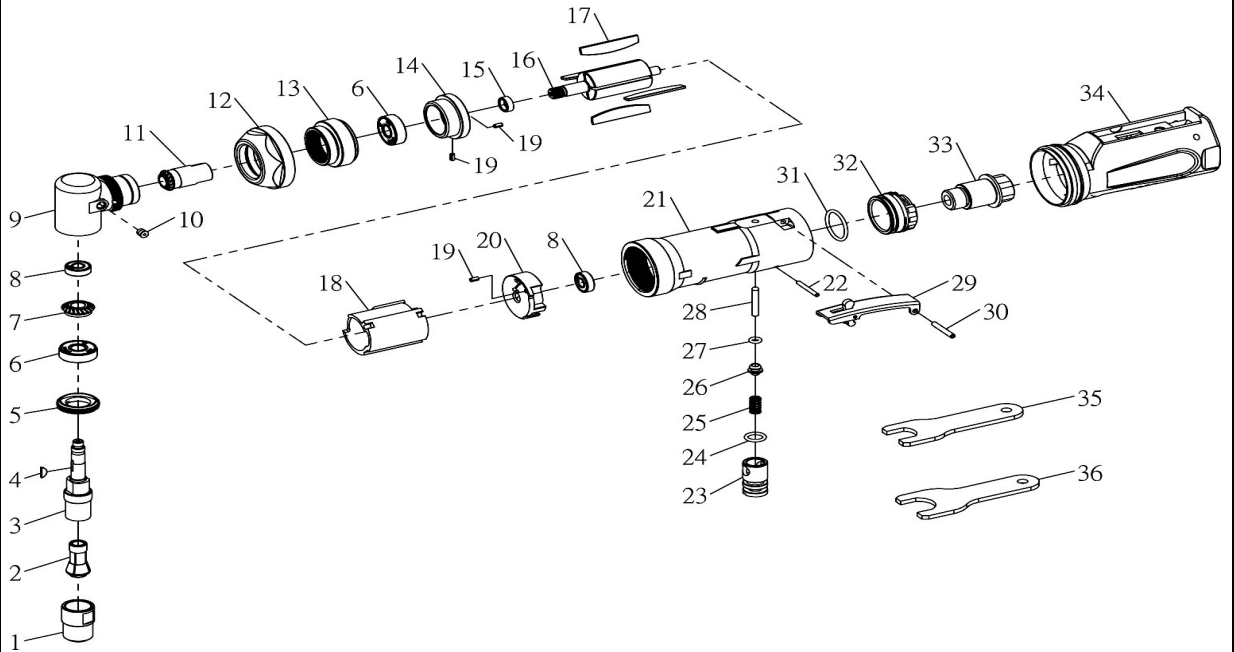




I-6650M-SM
1/4"(6MM) 1/4" ANGLE DIE GRINDER



No.	Parts No.	Description	Q'ty
1	I6650M5041-01	Collet Nut	1
2A	I6650M5041-02A	1/4" Collet	1
2B	I6650M5041-02B	6mm Collet	1
3	I6650M5041-03	Spindle	1
4	I6650M5041-04	Woodruff Key	1
5	I6650M5041-05	Clamp Nut	1
6	I6650M5041-06	Ball Bearing (608ZZ)	2
7	I6650M5041-07	Spindle Gear	1
8	I6650M5041-08	Ball Bearing (696ZZ)	2
9	I6650M5041-09	Angle Head Housing	1
10	I6650M5041-10	Grease Fitting	1
11	I6650M5041-11	Pinion	1
12	I6650M5041-12	Coupling Nut	1
13	I6650M5041-13	Lock Ring	1
14	I6650M5041-14	Front End Plate	1
15	I6650M5041-15	Bearing Space	1
16	I6650M5041-16	Rotor	1
17	I6650M5041-17	Rotor Balde	4
18	I6650M5041-18	Cylinder	1

No.	Parts No.	Description	Q'ty
19	I6650M5041-19	Spring Pin ($\Phi 2.5 \times 5$)	3
20	I6650M5041-20	Rear End Plate	1
21	I6650M5041-21	Motor Housing	1
22	I6650M5041-22	Spring Pin ($\Phi 2.5 \times 20$)	1
23	I6650M5041-23	Valve Screw	1
24	I6650M5041-24	O-Ring (P10A)	1
25	I6650M5041-25	Valve Spring	1
26	I6650M5041-26	Throttle Valve	1
27	I6650M5041-27	O-Ring (P4)	1
28	I6650M5041-28	Valve Shaft	1
29	I6650M5041-29	Safety Lever Ass'y	1
30	I6650M5041-30	Spring Pin ($\Phi 3 \times 22$)	1
31	I6650M5041-31	O-Ring (S22.4)	1
32	I6650M5041-32	Exhaust Sleeve	1
33	I6650M5041-33	Inlet Bushing	1
34	I6650M5041-34	Housing Cover	1
35	I6650M5041-35	Spanner Wrench (#17)	1
36	I6650M5041-36	Spanner Wrench (#11)	1
			1