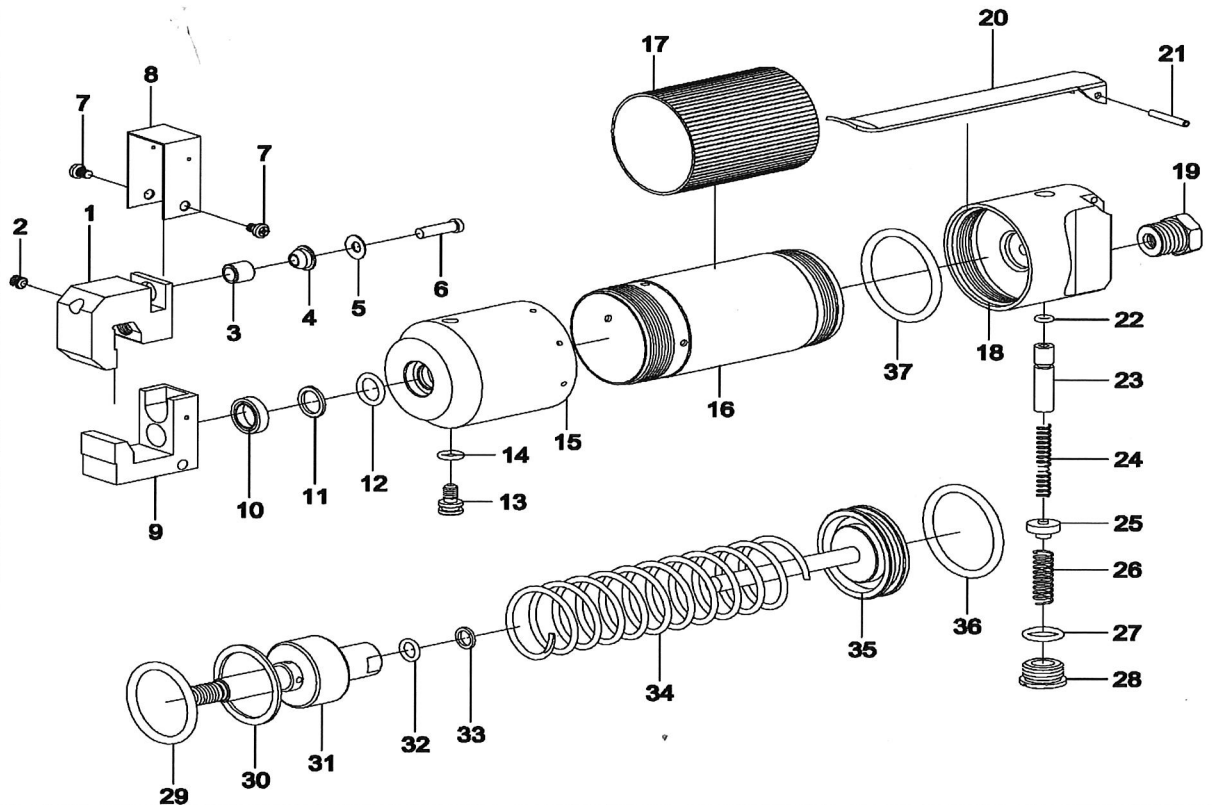


**MP-020-SM**  
**AIR PUNCH & FLANGE PUNCH DIA. 5MM**



No.	Parts No.	Description	Q'ty
1	MP0206652F-01	Clamp	1
2	MP0206652F-02	Set Screw	1
3	MP0206652F-03	Punch Die	1
4	MP0206652F-04	Guide Bushing	1
5	MP0206652F-05	Cup Spring	13
6	MP0206652F-06	Punch	1
7	MP0206652F-07	Screw	2
8	MP0206652F-08	Cover Plate	1
9	MP0206652F-09	Anvil	1
10	MP0206652F-10	Oil Seal	1
11	MP0206652F-11	Support Ring	1
12	MP0206652F-12	O-Ring	1
13	MP0206652F-13	Oil Plug	1
14	MP0206652F-14	O-Ring	1
15	MP0206652F-15	Hydr Cylinder	1
16	MP0206652F-16	Air Cylinder	1
17	MP0206652F-17	Plastic Wrapp	1
18	MP0206652F-18	Valve Body	1
19	MP0206652F-19	Air Inlet	1

No.	Parts No.	Description	Q'ty
20	MP0206652F-20	Throttle Lever	1
21	MP0206652F-21	Spring Pin	1
22	MP0206652F-22	O-Ring	1
23	MP0206652F-23	Push Rod	1
24	MP0206652F-24	Spring	1
25	MP0206652F-25	Valve	1
26	MP0206652F-26	Spring	1
27	MP0206652F-27	O-Ring	1
28	MP0206652F-28	Screw	1
29	MP0206652F-29	O-Ring	1
30	MP0206652F-30	Support Ring	1
31	MP0206652F-31	Hydr. Piston	1
32	MP0206652F-32	O-Ring	1
33	MP0206652F-33	Support Ring	2
34	MP0206652F-34	Spring	1
35	MP0206652F-35	Piston	1
36	MP0206652F-36	O-Ring	1
37	MP0206652F-37	O-Ring	1