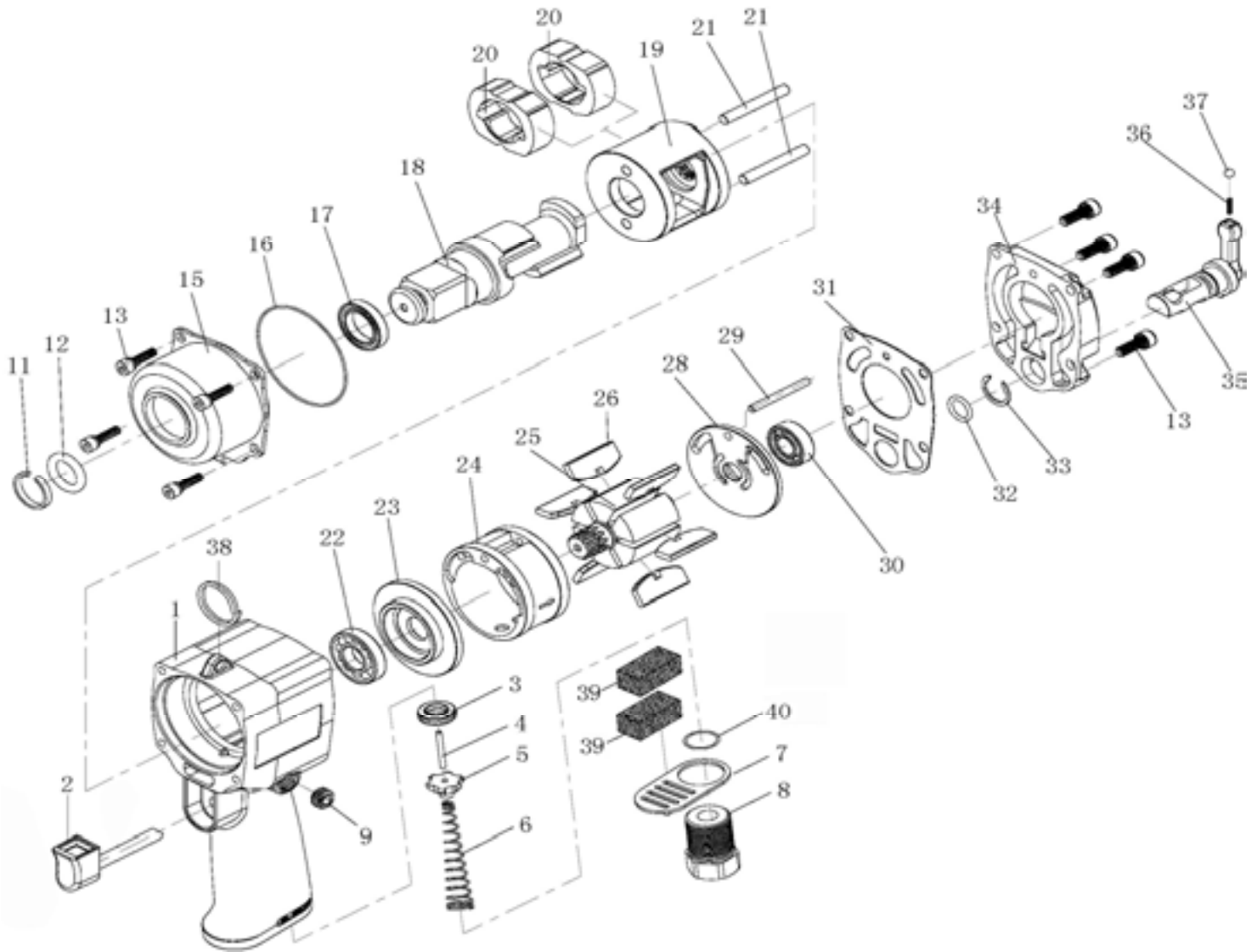


A-2012 1/2" MINI AIR IMPACT WRENCH (TWIN HAMMER)



PARTS LIST

No.	Parts No.	Description	Q'ty
1	A20125141A-01	Housing	1
2	A20125141A-02	Trigger	1
3	A20125141A-03	Oil Seal	1
4	A20125141A-04	Valve Stem	1
5	A20125141A-05	Throttle Valve	1
6	A20125141A-06	Valve Spring	1
7	A20125141A-07	Muffer Cover	1
8	A20125141A-08	Air Inlet	1
9	A20125141A-09	Screw	1
11	A20125141A-11	Retainer Ring	1
12	A20125141A-12	O-Ring	1
13	A20125141A-13	Screw	8
15	A20125141A-15	Hammer Housing	1
16	A20125141A-16	O-Ring	1
17	A20125141A-17	Bushing	1
18	A20125141A-18	1/2" Anvil	1
19	A20125141A-19	Hammer Cage	1
20	A20125141A-20	Hammer	2
21	A20125141A-21	Hammer Pin	2

No.	Parts No.	Description	Q'ty
22	A20125141A-22	Bearing	1
23	A20125141A-23	Front Plate	1
24	A20125141A-24	Cylinder	1
25	A20125141A-25	Rotor	1
26	A20125141A-26	Rotor Blade	5
28	A20125141A-28	Rear Plate	1
29	A20125141A-29	Pin	1
30	A20125141A-30	Bearing	1
31	A20125141A-31	Gasket	1
32	A20125141A-32	O-Ring	1
33	A20125141A-33	Retaining Ring	1
34	A20125141A-34	Rear Cover	1
35	A20125141A-35	Reverse Valve	1
36	A20125141A-36	Spring	1
37	A20125141A-37	Steel Ball	1
38	A20125141A-38	Hanger	1
39	A20125141A-39	Muffer Material	2
40	A20125141A-40	O-Ring	1