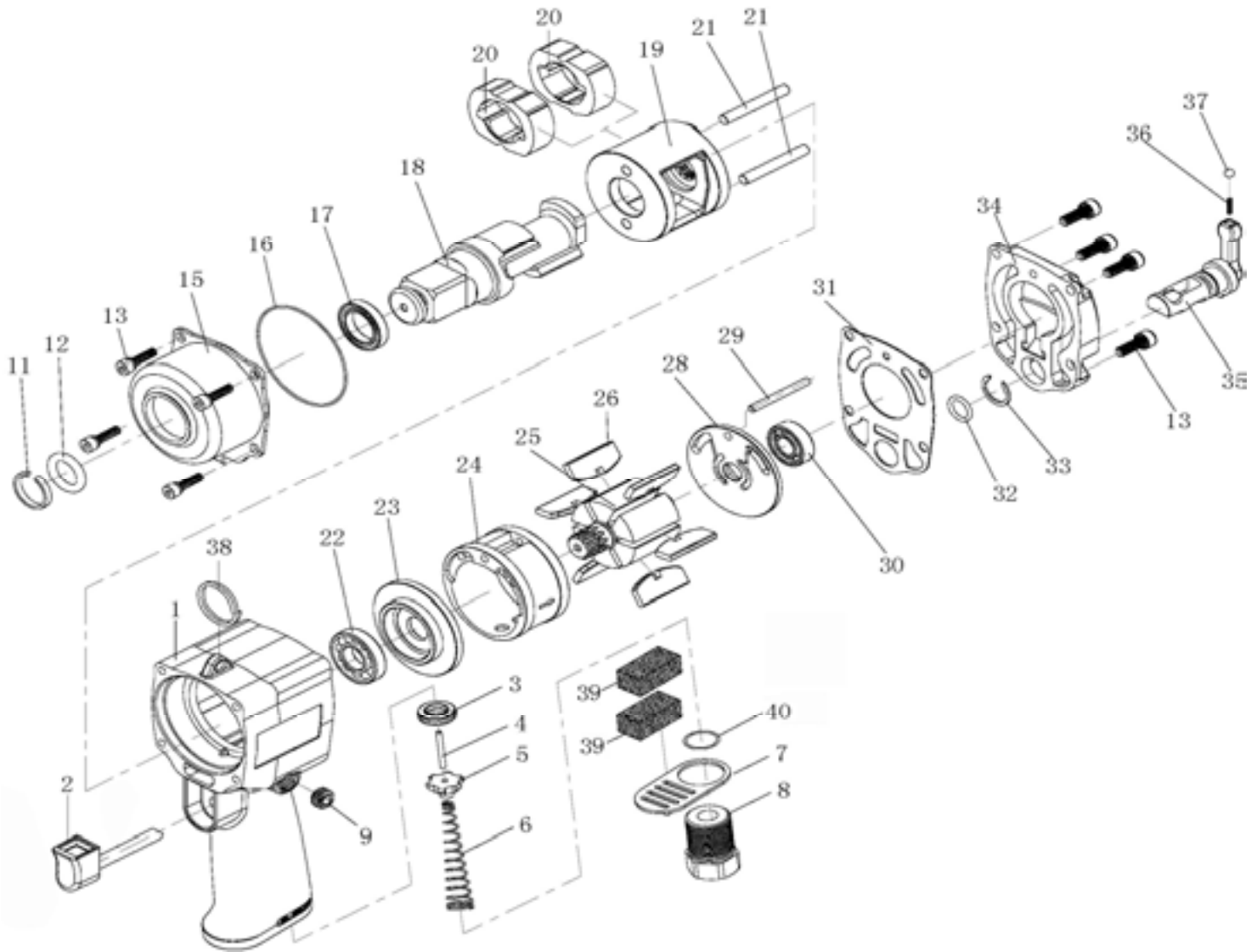


# A-2038 3/8" MINI AIR IMPACT WRENCH (TWIN HAMMER)



## PARTS LIST

No.	Parts No.	Description	Q'ty
1	A20385141-5141A-01	Housing	1
2	A20385141-5141A-02	Trigger	1
3	A20385141-5141A-03	Oil Seal	1
4	A20385141-5141A-04	Valve Stem	1
5	A20385141-5141A-05	Throttle Valve	1
6	A20385141-5141A-06	Valve Spring	1
7	A20385141-5141A-07	Muffer Cover	1
8	A20385141-5141A-08	Air Inlet	1
9	A20385141-5141A-09	Screw	1
11	A20385131A-11	Retainer Ring	1
12	A20385131A-12	O-Ring	1
13	A20385141-5141A-13	Screw	8
15	A20385141-5141A-15	Hammer Housing	1
16	A20385141-5141A-16	O-Ring	1
17	A20385141-5141A-17	Bushing	1
18	A20385131A-18	3/8" Anvil	1
19	A20385141-5141A-19	Hammer Cage	1
20	A20385141-5141A-20	Hammer	2
21	A20385141-5141A-21	Hammer Pin	2

No.	Parts No.	Description	Q'ty
22	A20385141-5141A-22	Bearing	1
23	A20385141-5141A-23	Front Plate	1
24	A20385141-5141A-24	Cylinder	1
25	A20385141-5141A-25	Rotor	1
26	A20385141-5141A-26	Rotor Blade	5
28	A20385141-5141A-28	Rear Plate	1
29	A20385141-5141A-29	Pin	1
30	A20385141-5141A-30	Bearing	1
31	A20385141-5141A-31	Gasket	1
32	A20385141-5141A-32	O-Ring	1
33	A20385141-5141A-33	Retaining Ring	1
34	A20385141-5141A-34	Rear Cover	1
35	A20385141-5141A-35	Reverse Valve	1
36	A20385141-5141A-36	Spring	1
37	A20385141-5141A-37	Steel Ball	1
38	A20385141-5141A-38	Hanger	1
39	A20385141-5141A-39	Muffer Material	2
40	A20385141-5141A-40	O-Ring	1