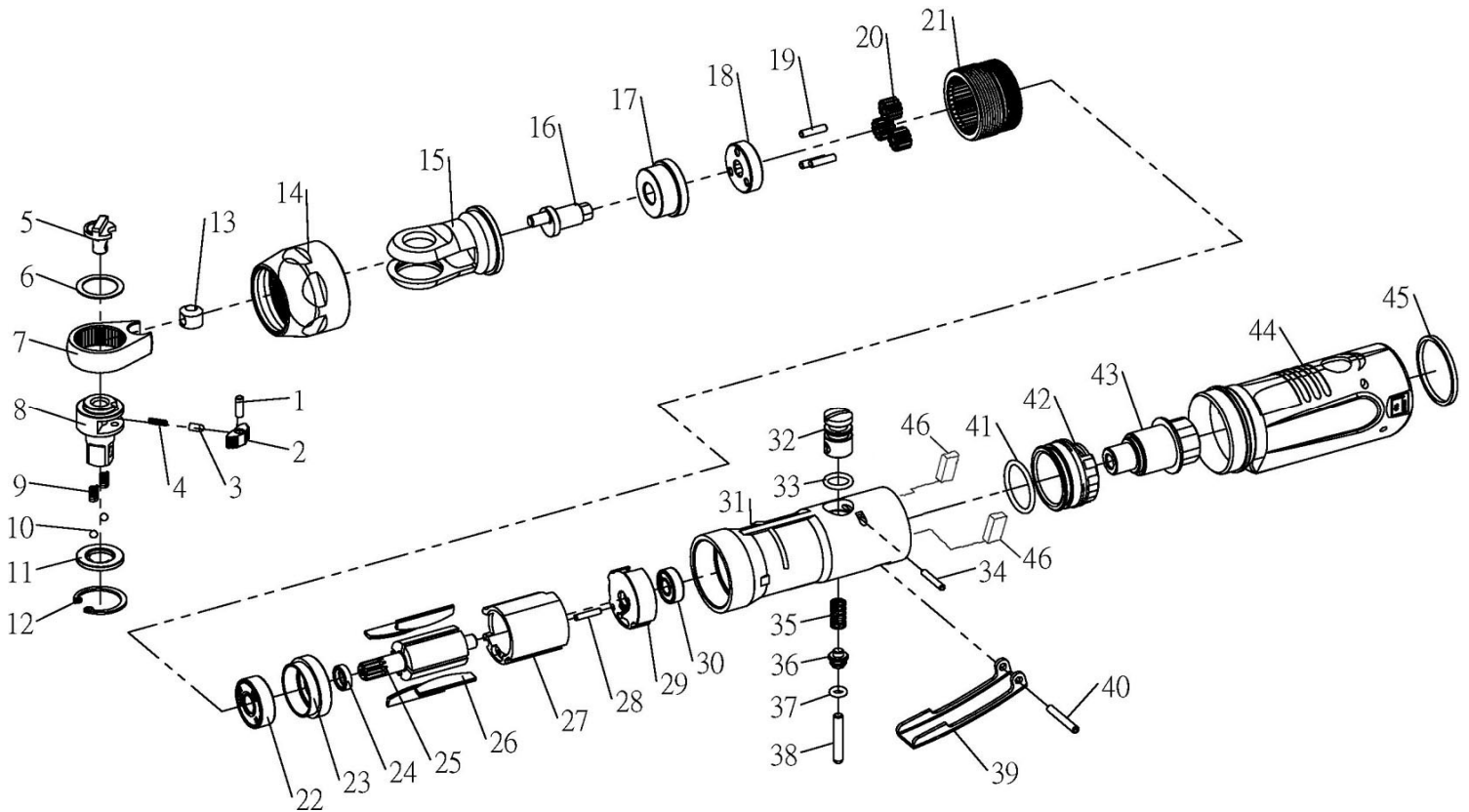


B-2214
B-2238

1/4" STUBBY AIR RATCHET WRENCH (LOW NOISE)

3/8" STUBBY AIR RATCHET WRENCH (LOW NOISE)



PARTS LIST

No.	Parts No.	Description	Q'ty
1	B-2214M5150-01	Pin (Φ3x9.8)	1
2	B-2214M5150-02	Pawl	1
3	B-2214M5150-03	Spring Pin	1
4	B-2214M5150-04	Spring	1
5	B-2214M5150-05	Reversing Cap [B-2214M5150S]	1
	B-2238M5151-05	Reversing Cap [B-2238M5151S]	1
6	B-2214M5150-06	Washer	1
7	B-2214M5150-07	Ratchet Yoke	1
8	B-2214M5150-08	1/4" Ratchet Anvil [B-2214M5150S]	1
	B-2238M5151-08	3/8" Ratchet Anvil [B-2238M5151S]	1
9	B-2214M5150-09	Spring	2
10	B-2214M5150-10	Steel Ball	2
11	B-2214M5150-11	Thrust Washer [B-2214M5150S]	1
	B-2238M5151-11	Thrust Washer [B-2238M5151S]	1
12	B-2214M5150-12	Retaining Ring	1
13	B-2214M5150-13	Drive Bushing	1
14	B-2214M5150-14	Coupling Nut	1
15	B-2214M5150-15	Ratchet Housing	1
16	B-2214M5150-16	Crank Shaft	1
17	B-2214M5150-17	Bushing	1
18	B-2214M5150-18	Idler Gear Plate	1
19	B-2214M5150-19	Pin (Φ3x11.8)	3
20	B-2214M5150-20	Idler Gear	3
21	B-2214M5150-21	Threaded Ring Gear	1
22	B-2214M5150-22	Ball Bearing (608ZZ)	1

No.	Parts No.	Description	Q'ty
23	B-2214M5150-23	Front End Plate	1
24	B-2214M5150-24	Bearing Spacer	1
25	B-2214M5150-25	Rotor	1
26	B-2214M5150-26	Rotor Blade	4
27	B-2214M5150-27	Cylinder	1
28	B-2214M5150-28	Spring Pin (Φ2.5x14)	1
29	B-2214M5150-29	Rear End Plate	1
30	B-2214M5150-30	Ball Bearing (696ZZ)	1
31	B-2214M5150-31	Housing	1
32	B-2214M5150-32	Air Regulator	1
33	B-2214M5150-33	O-Ring (P9)	1
34	B-2214M5150-34	Spring Pin (Φ2.5x16)	1
35	B-2214M5150-35	Valve Spring	1
36	B-2214M5150-36	Throttle Valve	1
37	B-2214M5150-37	O-Ring (P4)	1
38	B-2214M5150-38	Valve Shaft	1
39	B-2214M5150-39	Throttle Lever	1
40	B-2214M5150-40	Spring Pin (Φ3x22)	1
41	B-2214M5150-41	O-Ring (S022.4)	1
42	B-2214M5150-42	Exhasut Sleeve	1
43	B-2214M5150-43	Inlet Bushing	1
44	B-2214M5150-44	Housing Cover	1
45	B-2214M5150-45	Ring	1
46	B-2214M5150S-46	Muffler [B-2214M5150(1)S]	2