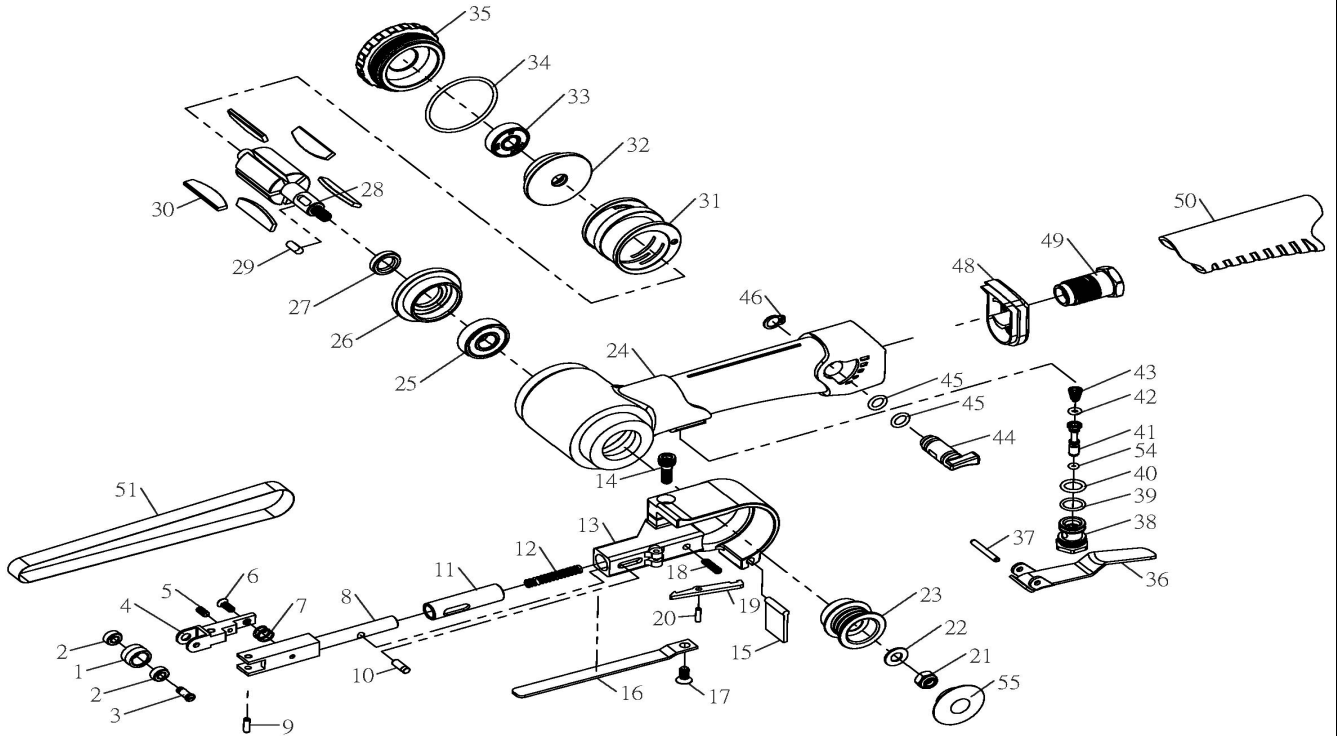




**C-3610  
AIR BELT SANDER (10x330mm)**



| No. | Parts No.      | Description                       | Q'ty |
|-----|----------------|-----------------------------------|------|
| 1   | C3610M5060-01  | Idle Pulley                       | 1    |
| 2   | C3610M5060-02A | Ball Bearing (684Z/RS)            | 2    |
| 3   | C3610M5060-03  | Idle Pulley Screw                 | 1    |
| 4   | C3610M5060-04  | Bracket 10                        | 1    |
| 5   | C3610M5060-05  | Set Screw (M3x8)                  | 1    |
| 6   | C3610M5060-06  | Hexagon Socket Headless Set Screw | 1    |
| 7   | C3610M5060-07  | Spring                            | 1    |
| 8   | C3610M5060-08  | Tension Bar                       | 1    |
| 9   | C3610M5060-09  | Spring Pin (Φ3x10)                | 1    |
| 10  | C3610M5060-10  | Stopper Pin                       | 1    |
| 11  | C3610M5060-11  | Guard Bushing                     | 1    |
| 12  | C3610M5060-12  | Tension Spring                    | 1    |
| 13  | C3610M5060-13  | Guard Sub Ass'y 11                | 1    |
| 14  | C3610M5060-14  | Head Cap Screw (M5x15)            | 1    |
| 15  | C3610M5060-15  | Dust Cover                        | 1    |
| 16  | C3610M5060-16  | Shoe 10                           | 1    |
| 17  | C3610M5060-17  | Hexagon Socket Headless Set Screw | 1    |
| 18  | C3610M5060-18  | Stopper Spring                    | 1    |
| 19  | C3610M5060-19  | Stopper                           | 1    |
| 20  | C3610M5060-20  | Spring Pin (Φ2.5x10)              | 1    |
| 21  | C3610M5060-21  | Hexagon Nut (M6)                  | 1    |
| 22  | C3610M5060-22  | Washer (M6)                       | 1    |
| 23  | C3610M5060-23  | Drive Pulley                      | 1    |
| 24  | C3610M5060-24  | Housing                           | 1    |
| 25  | C3610M5060-25A | Ball Bearing (6000RS)             | 1    |
| 26  | C3610M5060-26  | Front End Plate                   | 1    |
| 27  | C3610M5060-27  | Spacer                            | 1    |
| 28  | C3610M5060-28  | Rotor                             | 1    |

| No. | Parts No.      | Description                          | Q'ty |
|-----|----------------|--------------------------------------|------|
| 29  | C3610M5060-29  | Parallel Key Both Ends Round 4x4x9.5 | 1    |
| 30  | C3610M5060-30  | Rotor Blade                          | 5    |
| 31  | C3610M5060-31  | Cylinder                             | 1    |
| 32  | C3610M5060-32  | Rear End Plate                       | 1    |
| 33  | C3610M5060-33  | Ball Bearing (608ZZ)                 | 1    |
| 34  | C3610M5060-34  | O-Ring (S38)                         | 1    |
| 35  | C3610M5060-35  | Cap                                  | 1    |
| 36  | C3610M5060-36  | Throttle Lever                       | 1    |
| 37  | C3610M5060-37  | Spring Pin (Φ3x20)                   | 1    |
| 38  | C3610M5060-38  | Valve Body                           | 1    |
| 39  | C3610M5060-39  | O-Ring (S11.2)                       | 1    |
| 40  | C3610M5060-40  | O-Ring (P-9)                         | 1    |
| 41  | C3610M5060-41  | Valve Stem                           | 1    |
| 42  | C3610M5060-42  | O-Ring (P3)                          | 1    |
| 43  | C3610M5060-43  | Valve Spring                         | 1    |
| 44  | C3610M5060-44  | Air Regulator                        | 1    |
| 45  | C3610M5060-45  | O-Ring (P7)                          | 2    |
| 46  | C3610M5060-46  | External Stop Ring (STW-8)           | 1    |
| 48  | C3610M5060-48  | Exhaust Diffuser                     | 1    |
| 49  | C3610M5060-49  | Inlet Bushing                        | 1    |
| 50  | C3610M5060-50  | Housing Cover                        | 1    |
| 51A | C3610M5060-51A | Grinding Belt (#100x10)              | 1    |
| 51B | C3610M5060-51B | Grinding Belt (#80x10)               | 1    |
| 51C | C3610M5060-51C | Grinding Belt (#120x10)              | 1    |
| 51D | C3610M5060-51D | Grinding Belt (#60x10) (Opt.)        | 1    |
| 51G | C3610M5060-51G | Nov-Woven Belt (#240) (Opt.)         | 1    |
| 54  | C3610M5060-54  | O-Ring (AS-004)                      | 1    |
| 55  | C3610M5060-55  | Pully Cover                          | 1    |