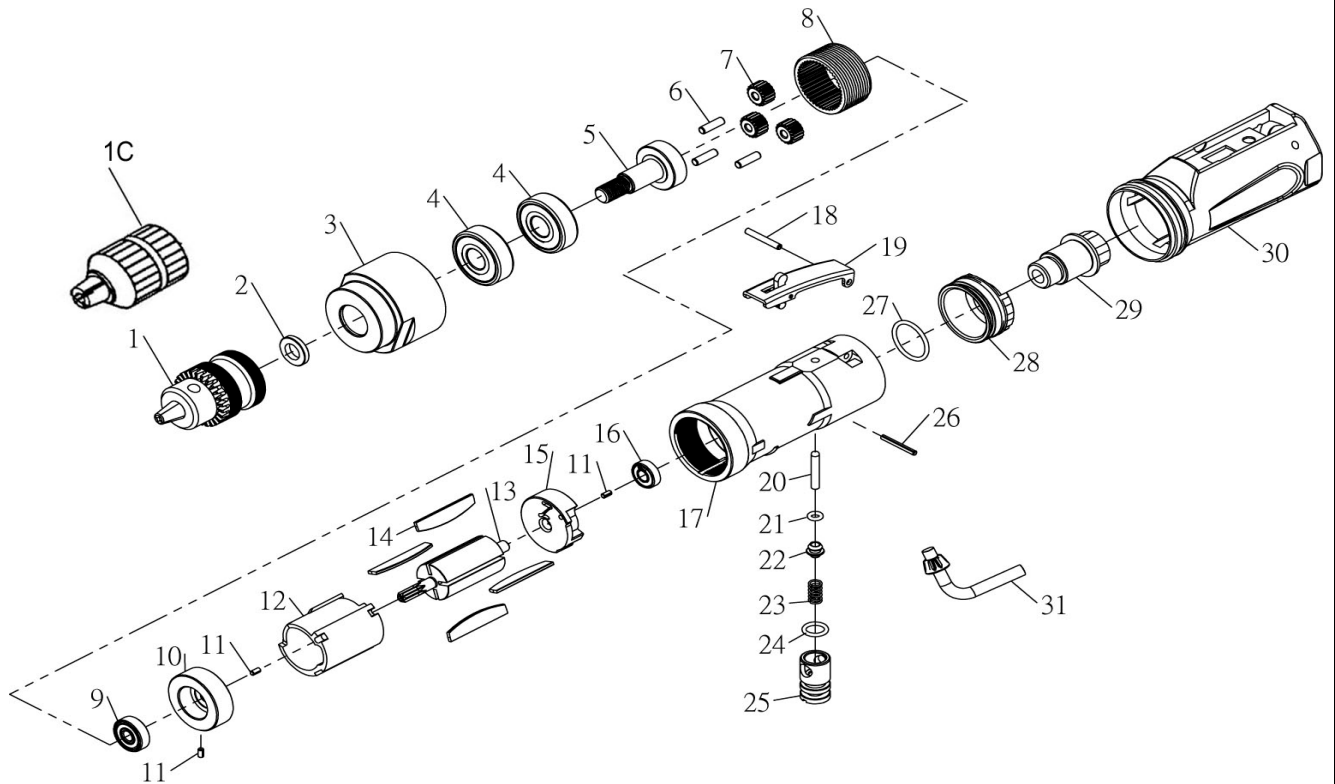




D-6000
3/8" AIR STRAIGHT DRILL (W/KEYLESS CHUCK)



No.	Parts No.	Description	Q'ty
1	D6000M5015-01	Drill Chuck [ST-D6000M5015]	1
1	D6000M5015-01C	Keyless Chuck [ST-D6000M5015C]	1
2	D6000M5015-02	Chuck Spacer	1
3	D6000M5015-03	Bearing Housing	1
4	D6000M5015-04	Ball Bearing (6201ZZ)	2
5	D6000M5015-05	Planet Carrier	1
6	D6000M5015-06	Needle Spindle	3
7	D6000M5015-07	Planet Gear	3
8	D6000M5015-08	Internal Gear	1
9	D6000M5015-09	Ball Bearing (626ZZ)	1
10	D6000M5015-10	Front Plate	1
11	D6000M5015-11	Spring Pin (Φ2.5x5)	3
12	D6000M5015-12	Cylinder	1
13	D6000M5015-13	Rotor	1
14	D6000M5015-14	Rotor Blade	4
15	D6000M5015-15	Rear End Plate	1

No.	Parts No.	Description	Q'ty
16	D6000M5015-16	Ball Bearing (696ZZ)	1
17	D6000M5015-17	Motor Housing	1
18	D6000M5015-18	Spring Pin (Φ3x22)	1
19	D6000M5015-19	Safety Lever Ass'y	1
20	D6000M5015-20	Valve Shaft	1
21	D6000M5015-21	O-Ring (P4)	1
22	D6000M5015-22	Throttle Valve	1
23	D6000M5015-23	Valve Spring	1
24	D6000M5015-24	O-Ring (P10A)	1
25	D6000M5015-25	Valve Screw	1
26	D6000M5015-26	Spring Pin (Φ2.5x20)	1
27	D6000M5015-27	O-Ring (S22.4)	1
28	D6000M5015-28	Exhaust Sleeve	1
29	D6000M5015-29	Inlet Bushing	1
30	D6000M5015-30	Housing Cover	1
31	D6000M5015-31	Key	1