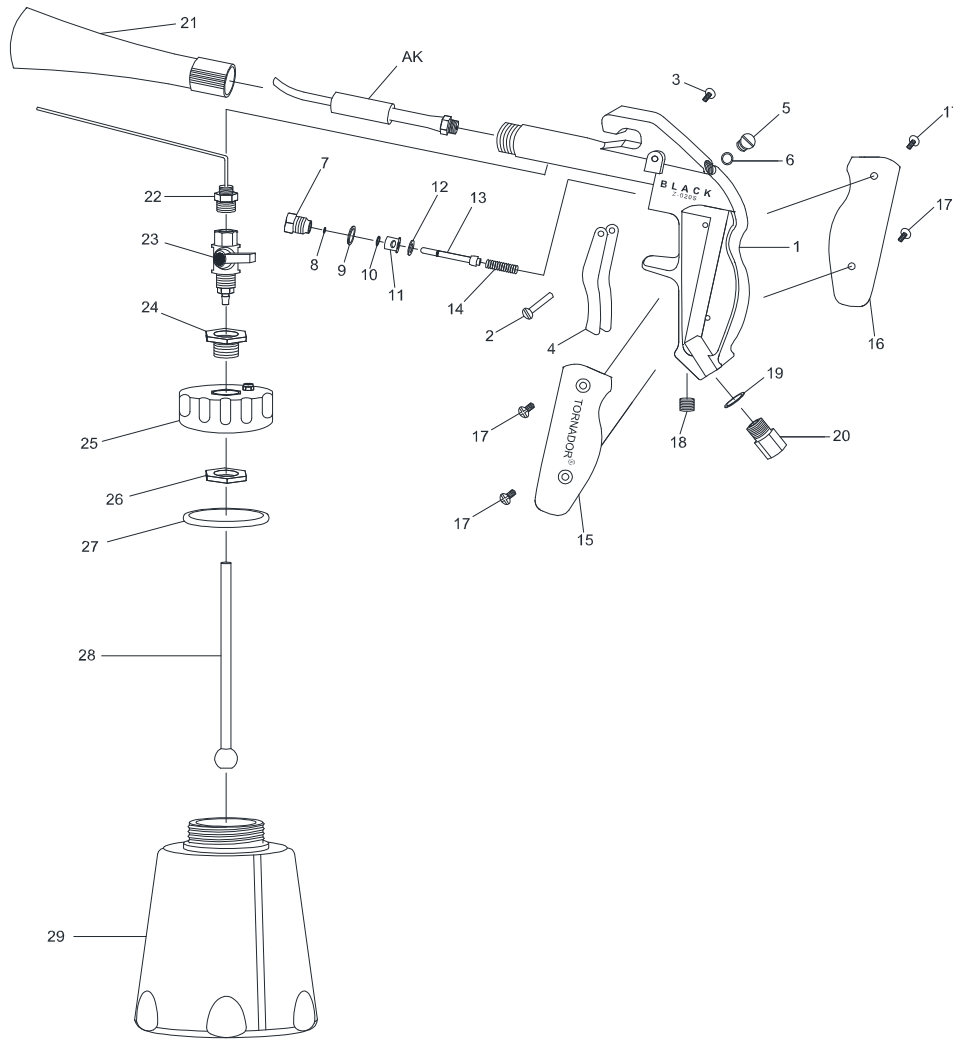




Z-020S Tornador Black (Cleaning Gun)



| Ref. No. | Part No. | Description | Q'ty Tool | Ref. No. | Part No. | Description | Q'ty Tool |
|----------|------------|------------------------|-----------|----------|------------|-------------------------------|-----------|
| 1 | SPZ020S001 | Housing | 1 | 17 | SPZ020S004 | Screw | 4 |
| 2 | SPZ020S007 | Pin | 1 | 18 | SPZ020S005 | Screw | 1 |
| 3 | SPZ010008A | Screw | 1 | 19 | SPZ020S006 | O-Ring (x) | 1 |
| 4 | SPZ010009B | Trigger (Stainless) | 1 | 20 | SPZ010024A | Air Inlet (1/4"PF) | 1 |
| 5 | SPZ010010 | Screw | 1 | 21 | SPZ020008B | Nozzle (Matt Finish) | 1 |
| 6 | SPZ010026 | O-Ring (4.47x1.78) | 1 | 22 | SPZ020009A | Inner Tube Ass'y | 1 |
| 7 | SPZ010011 | Screw | 1 | 23 | SPZ010017A | Air Reverse Switch Ass'y | 1 |
| 8 | SPZ010031 | O-Ring (2x1) | 1 | 24 | SPZ010018 | Screw | 1 |
| 9 | SPZ010028 | O-Ring (9x2) | 1 | 25 | SPZ010019C | Cap (with hole) and valve | 1 |
| 10 | SPZ010027 | O-Ring (3.5x1.5) | 1 | | SPZ010019A | Cap (closed) | |
| 11 | SPZ010012 | Bushing | 1 | 26 | SPZ010021 | Nut | 1 |
| 12 | SPZ010013 | Gasket | 1 | 27 | SPZ020014A | Gasket (o-ring) f. valve type | 1 |
| 13 | SPZ010014 | Valve Stem | 1 | 28 | SPZ010022 | Tube Ass'y (inkl. part.no.28) | 1 |
| 14 | SPZ010015A | Spring | 1 | 29 | SPZ010023A | Cup with window | 1 |
| 15 | SPZ020S002 | Left Side Cap (Black) | 1 | | | | |
| 16 | SPZ020S003 | Right Side Cap (Black) | 1 | AK | SPZ0200AK | Rotate Set | 1 |