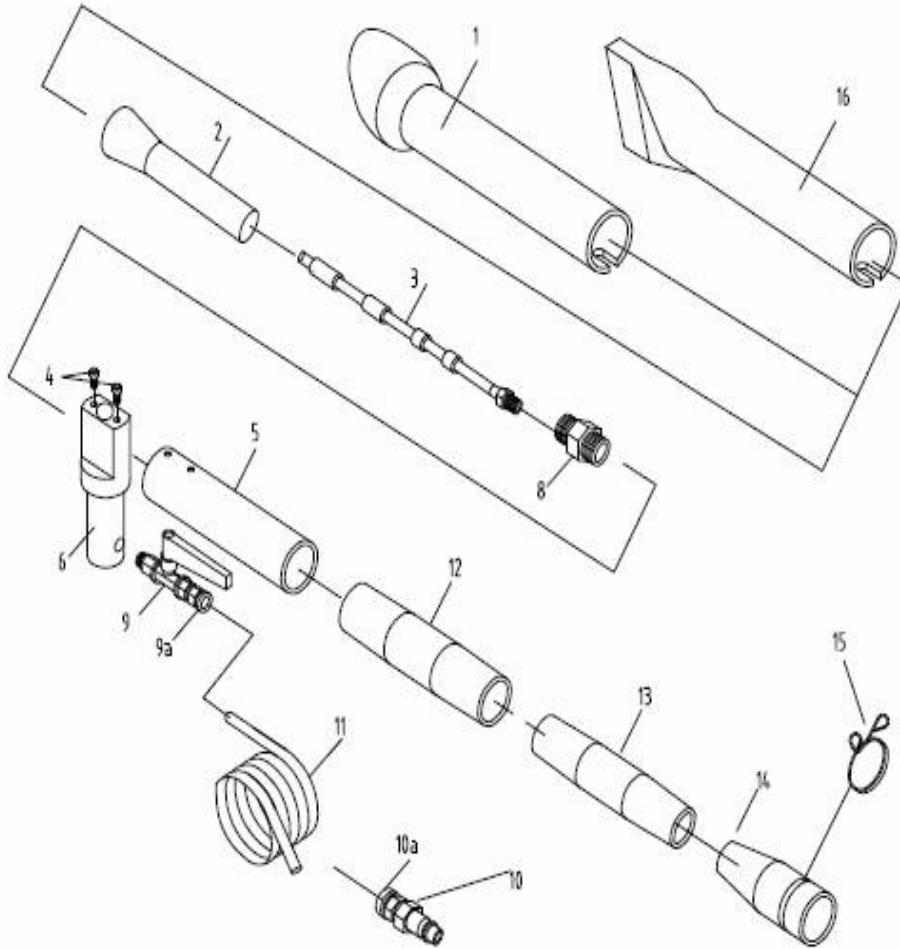




Rotador

Z-017-Vacuum-Cleaner-Adaptor



| Ref. No. | Part No. | Description | Ref. No. | Part No. | Description |
|----------|------------|---------------------|----------|-----------|-------------|
| 1 | SPW017001 | Cone 1 | 14 | SPW017014 | Adapter 14 |
| 2 | SPW017002 | Nozzle | 15 | SPW017015 | Clamp |
| 3 | SPW017003 | Weighted Tube Ass'y | 16 | SPW017016 | Cone 2 |
| 4 | SPW017004 | Screw | | | |
| 5 | SPW017005 | Housing | | | |
| 6 | SPW017006 | Bracket | | | |
| 8 | SPW017008 | Screw | | | |
| 9 | SPW017009 | Switch | | | |
| 9a | SPW017009a | Air inlet | | | |
| 10 | SPW017010 | Nipple | | | |
| 10a | SPW017010a | Air Inlet | | | |
| 11 | SPW017011 | PU Tube | | | |
| 12 | SPW017012 | Adapter 12 | | | |
| 13 | SPW017013 | Adapter 13 | | | |